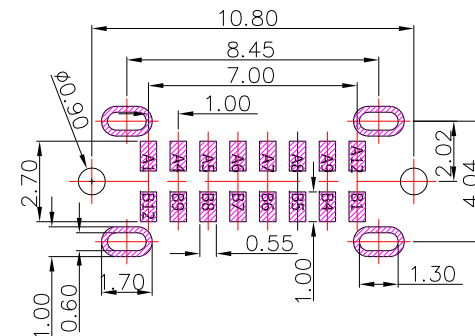
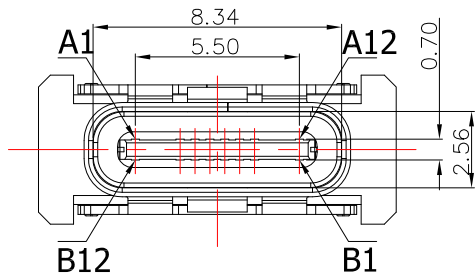




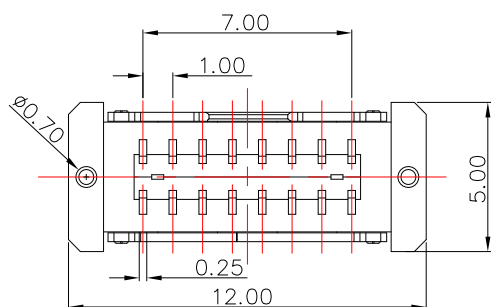
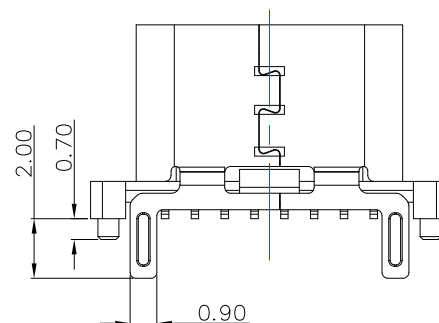
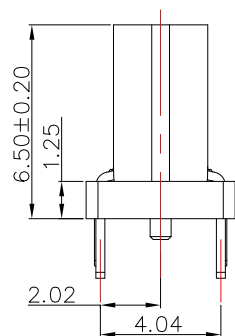
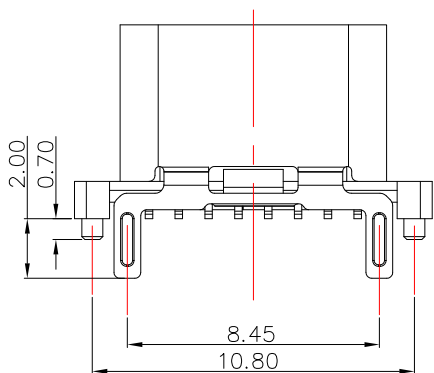
# SBC-160VSE7-20x-S410

鍍層厚度：

Blank : 1u"
2 : 15u"
3 : 30u"



RECOMMENDED P.C.B. LAYOUT



A1	A2	A3	A4	A5	A6	A7	A8	A9	A10	A11	A12
GND			VBUS	CC1	D+	D-	SBU1	VBUS			GND
GND			VBUS	SBU2	D-	D+	CC2	VBUS			GND
B12	B11	B10	B9	B8	B7	B6	B5	B4	B3	B2	B1

## SPECIFICATIONS

### Electrical:

- 1.Rating: 5.0A
- 2.Dielectric Withstand Voltage: 100V AC
- 3.Contact Resistance: 40 mΩ Max
- 4.Insulation Resistance: 100 MΩ Min

### Mechanical:

- 1.Connector Mate and Unmate Force
  - 1.1 Mate force: 5~20 N
  - 1.2 Unmate force: 8~20 N

### Material:

- 1.Housing: LCP
- 2.Contact: C7025
- 3.Shell: SUS

### Finish:

- 1.Contact: Plated Gold in Mating Area ;  
Tin Plated on Solder Balls ;  
Nickel under plated overall
- 2.Shell: Nickel under Plated surface layer

SECTION: A-A  
**CONTACT** 建倚科技股份有限公司  
**CONTACT TECHNOLOGY CORP.**

TOLERANCE UNLESS OTHERWISE STATED:

Up to 5	±0.2
Above 5 ~ 15	±0.3
Above 15 ~ 30	±0.4
Above 30 ~ 50	±0.5
Angle	±0.3°

3RD. ANGEL'S



UNITS MM

DRAWN BY:	DATE	MAT'L	TITLE	CONNECTOR
Jack Lu	03/30/23		MODLE	TYPE C 16P 180度 SMT 帶定位柱 H6.50
CHECKED BY:	DATE	FINISH	DWG NO.	SBC-160VSE7-20x-S410
Jacky Chen	03/30/23		PART NO.	SBC-160VSE7-20x-S410
APPROVED BY:	DATE	SCALE	SHEET NO.	1 of 1
Tony Kao	03/30/23	1 : 1		

ITEM NO.	DESCRIPTION	DRAWN	DATE